

Gas Discharge Tubes (GDT)

2R-18D Series

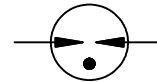
Description

The Gas Discharge Tube (GDT) is a protective device which is filled with certain proportion of noble gas, or mixed gas or other discharge media in the space between metal electrodes and metalized ceramics, and then sealed at high temperature to form a single gap or multi-gap switch type protective device. When the protected circuit or equipment suffers to surge, GDT will change from high impedance state to low impedance state and release the surge energy to reduce the residual voltage of the circuit, and then protect the equipment or human body from the hazard of transient overvoltage.

2R-18D Series gas discharge tubes enable protection modules to be constructed with protection classes for N-PE applications.



Electrical symbol



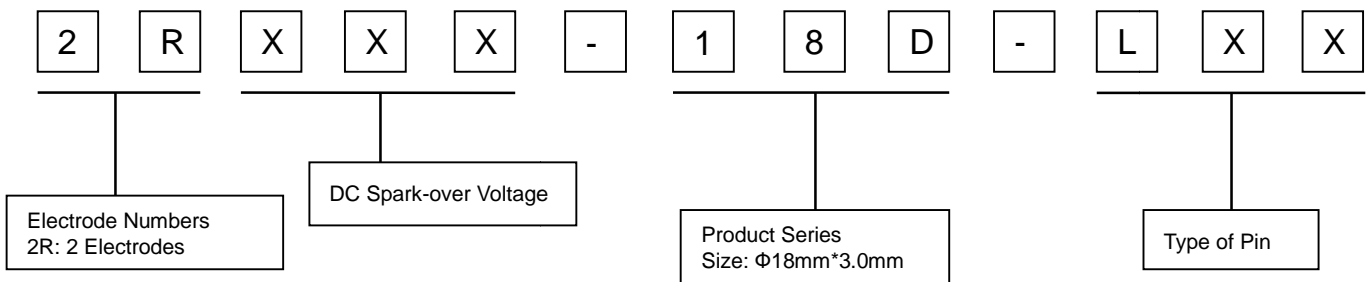
Features

- I Stable performance over life
- I Very fast response time
- I High insulation resistance
- I Non-Radioactive

Applications

- I AC power line N-PE application
- I Class I and class II – surge protection

Part Number Code



Gas Discharge Tubes (GDT)

2R-18D Series

Electrical Characteristics

Model	2R350-18D	2R600-18D	2R800-18D	Units
DC Spark-over Voltage ^{1) 2)} at 100V/S	350±20%	600±20%	800±20%	V
Impulse Spark-over Voltage at 1KV/μS	<700	<1000	<1200	V
Front of wave spark-over voltage at 1.2/50 μs, 6 kV	<1000	<1300	<1500	V
Class I (according to IEC 61643-11)				
Maximum continuous operating voltage at 50/60Hz U_C	110	255	255	Vrms
Nominal impulse discharge current 8/20μs 15 times I_n	20	20	20	KA
Impulse discharge current 10/350μs 5 times I_{imp}	8	8	8	KA
Follow current at 50/60Hz I_f	100	100	100	A
Class II (according to IEC 61643-11)				
Maximum continuous operating voltage at 50/60Hz U_C	110	255	255	Vrms
Nominal impulse discharge current 8/20μs 15 times I_n	20	20	20	KA
Maximum discharge current 8/20μs 2 times I_{max}	40	40	40	KA
Follow current at 50/60Hz I_f	100	100	100	A
AC discharge current (TOV ³⁾ at 1200V 1 time 50 Hz, 0.2 s	300	300	300	A
Breakdown time	<100	<100	<100	ns
- typical values	<40	<40	<40	ns
Insulation Resistance at DC 100V	>1	>1	>1	GΩ
Capacitance at 1MHz	<10	<10	<10	pF
Weight	~3.8	~3.8	~3.8	g
Operation and storage temperature	-40~+125	-40~+125	-40~+125	°C
Climatic category (IEC60068-1)	40/125/21	40/125/21	40/125/21	
Marking, red positive	RUILON 350	RUILON 600	RUILON 800	
Surface treatment	Matte-tin plated			

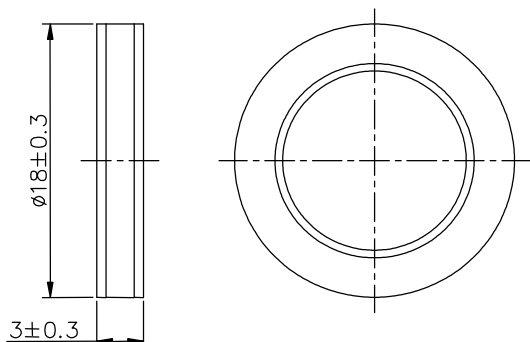
¹⁾ At delivery AQL 0.65 level II, DIN ISO 2859.

²⁾ In ionized mode.

³⁾ TOV - Temporary over voltage.


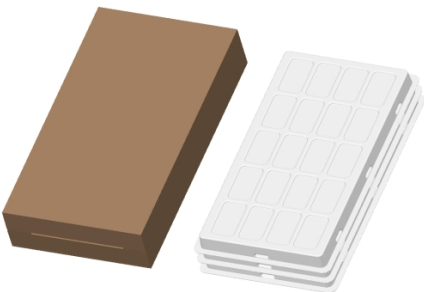
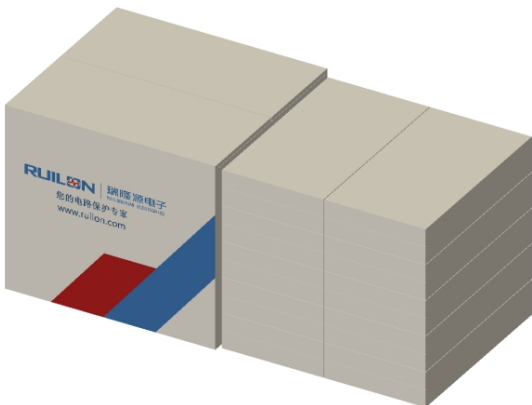
Dimensions (Unit: mm)

2RXXX-18D-LS0



Packaging Information

2RXXX-18D-LS0

	PVC tray	Inner Box	Carton
Size	265×148×17mm	275×150×50mm	315×290×272mm
Quantity	MPQ: 1 tray=100pcs	MOQ: 1 Inner Box=3 trays=300pcs	1 Carton=10 Inner boxes=3,000pcs
Photos			

Terms and definitions

NO.	Item	Definitions
1	Gas discharge tube(GDT)	Gap, or several gaps, in an enclosed discharge medium, other than air at atmospheric pressure, designed to protect apparatus or personnel, or both, from high transient voltages. Also referred to as "gas tube surge arrester".
2	DC Spark-over Voltage	The voltage at which the gas discharge tube sparks over with slowly increasing d.c. voltage.
3	Impulse Spark-over Voltage	The highest voltage which appears across the terminals of a gas discharge tube in the period between the applications of an impulse of given waveform and the time when current begins to flow.
4	Impulse discharge current 8/20μs	Current impulse with a nominal virtual front time of 8 μ s and a nominal time to half-value of 20 μ s.
5	Impulse discharge current 10/350μs	Current impulse with a nominal virtual front time of 10 μ s and a nominal time to half-value of 350 μ s.
6	1,2/50 voltage impulse	Voltage impulse with a nominal virtual front time of 1,2 μ s and a nominal time to half-value of 50 μ s.
7	Maximum continuous operating voltage U_c	Maximum rms. voltage, which may be continuously applied to the GDT's mode of protection.
8	Nominal discharge current I_n	Crest value of the current through the GDT having a current waveform of 8/20.
9	Maximum discharge current I_{max}	Crest value of a current through the Surge arrester having an 8/20 waveform and magnitude according to the manufacturers specification. I_{max} is equal to or greater than I_n .
10	Impulse discharge current for class I test I_{imp}	Crest value of the current through the Surge arrester having a current waveform of 10/350 with specified charge transfer Q and specified energy W/R in the specified time.
11	Follow current I_f	Current supplied by the electrical power system and flowing through the surge arrester after an I_n -discharge current impulse.
12	Insulation Resistance	Insulation resistance shall be measured from each terminal to every other terminal of the GDT. The test is performed with DC50V when normal spark-over Voltage 70~150V, others with DC100V.
13	Capacitance	The capacitance shall be measured once at 1 MHz between all terminals unless otherwise specified.
14	Class I	Surge arrester protects against direct lightning strike. Direct lightning strike is defined as current impulse I_{imp} with waveform 10/350 μ s. Withstand capability acc. to IEC 61643-11 standard.
15	Class II	Surge arrester protects against induced surge current. Induced surge current is defined as current impulse I_n and I_{max} with waveform of shorter duration than I_{imp} , 8/20 μ s. Withstand capability acc. to IEC 61643-11 standard.

Cautions and warnings

- I Surge arresters must not be operated directly in power supply networks.
- I Surge arresters may become hot in case of longer periods of current stress (danger of burning).
- I If the contacts of the surge arresters are defective, current stress can lead to the formation of sparks and loud noises.
- I Surge arresters may be used only within their specified values. In case of overload, the head contacts may fail or the component may be destroyed.
- I Damaged surge arresters must not be re-used.